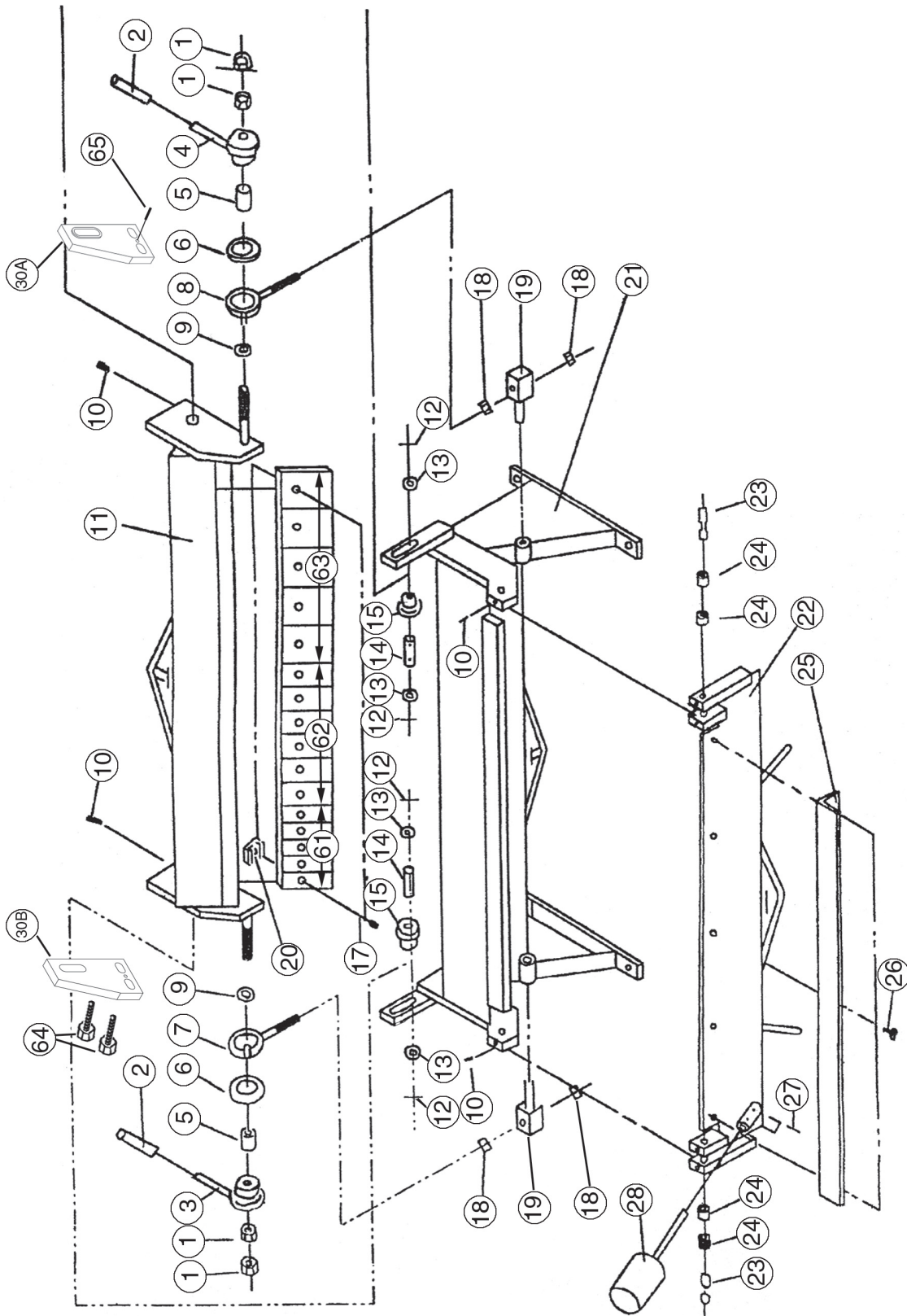


G5769 Parts Breakdown



G5769 Parts List

| Ref. | PART | DESCRIPTION |
|-------------|-----------|-----------------------|
| 001 | PN05M | HEX NUT M16-1.5 |
| 002 | P5769002 | HANDLE COVER |
| 003 | P5769003 | LEFT HANDLE |
| 004 | P5769004 | RIGHT HANDLE |
| 005 | P5769005 | BUSHING |
| 006 | P5769006 | SHAFT SLEEVE |
| 007 | P5769007 | SWIVEL LEFT |
| 008 | P5769008 | SWIVEL RIGHT |
| 009 | PW08M | FLAT WASHER 16MM |
| 010 | PSB14M | CAP SCR M8-1.25 X 20 |
| 011 | P5769011 | BREAK SUPPORT |
| 012 | PRP49M | ROLL PIN 5 X 25 |
| 013 | PW08M | FLAT WASHER 16MM |
| 014 | P5769014 | SHAFT |
| 015 | P5769015 | ECCENTRIC |
| 016 | P5769016 | FORMING FINGER SET |
| 016D | P5769016D | BENDING BLADE SET |
| 017 | PSB44M | CAP SCR M10-1.25 X 28 |

| | | |
|-------------|-----------|------------------------|
| 018 | PN09M | HEX NUT M12-1.75 |
| 019 | P5769019 | KNOB BLOCK |
| 020 | P5769020 | CLAMP |
| 021 | P5769021 | STAND |
| 022 | P5769022 | BENDING LEAF |
| 023 | P5769023 | SHAFT |
| 024 | P5769024 | BUSHING |
| 025 | P5769025 | ANGLE BAR |
| 026 | P5769026 | SCREW M12 X 15 |
| 027 | PSB64M | CAP SCR M10-1.5 X 25 |
| 028 | P5769028 | COUNTERWEIGHT |
| 029 | P5769029 | LABEL |
| 030A | P5769030A | RIGHT END PLATE |
| 030B | P5769030B | LEFT END PLATE |
| 061 | P5769061 | FORMING FINGER 2" |
| 062 | P5769062 | FORMING FINGER 3" |
| 063 | P5769063 | FORMING FINGER 4" |
| 064 | PB68M | HEX BOLT M12-1.75 X 30 |
| 065 | PRP05M | ROLL PIN 5 X 30 |